

M 501

TWO-WAY PASSIVE SPEAKER

DESCRIPTION

M 501 is a multipurpose two-way full-range speaker system, suitable in a wide range of installations. The compactness, together with the elegant and neutral design with accurate finishing make M 501 suitable for almost any environment and architectural constraint. Its comfortable sound helps heavily in the near field applications. Available mounting accessories allow you to use the M 501 wall or ceiling mounted, with reference to the several possible applications. The SPL and the level of undistorted sound the M501 can reach are far above any expectation from such a compact solution.

The M 501 features high sensitivity typical of the PRO audio cabinets thanks to the use of oversized magnets and an HI-FI sound quality with smooth and wide frequency response performed thanks to the wave-guided titanium dome tweeter. The LICC crossover design includes a protection on high frequency device.



FEATURES

- High Quality 2-way passive loudspeaker
- 1 x 5.5" woofer, vented
- 1 x 1" in driver, on 90°x90° CD horn
- High Power Handling 'Low Impedance Compensated Crossover', with electronic protection for the driver
- 80W AES power handling
- Steel Front Grille with robust double mesh polyester clothing
- Rotatable RCF front logo
- Installation points are available on the rear panel, top and bottom
- All models have a 4-pin EUROBLOCK connector (audio input and parallel link output)

TECHNICAL SPECIFICATIONS

Acoustical specifications	Frequency Response (-10dB):	80 Hz ÷ 20000 Hz
	Max SPL @ 1m:	114 dB
	Horizontal coverage angle:	90°
	Vertical coverage angle:	90°
	Directivity index Q:	10
	System Sensitivity:	89 dB
Power section	Nominal Impedance (ohm):	8 ohm
	Power Handling:	80 W RMS
	Peak Power Handling:	320 W PEAK
	Recommended Amplifier:	160 W
	Protections:	PTC
	Crossover Frequencies:	1900 Hz
Transducers	Compression Driver:	1.0", 1.0" v.c
	Nominal Impedance (ohm):	8 ohm
	Input Power Rating:	10 W AES, 20 W PEAK
	Sensitivity:	90 dB, 1W @ 1m
	Woofers:	5.5", 1.2" v.c
	Nominal Impedance (ohm):	8 ohm
	Input Power Rating:	80 W AES, 160 W PEAK
Sensitivity:	87 dB, 1W @ 1m	
Input/Output section	Input connectors:	Euroblock
	Output connectors:	Euroblock
Standard compliance	CE marking:	Yes
Physical specifications	Cabinet/Case Material:	MDF
	Hardware:	6 x M6, 2 M10
	Grille:	Steel with robust double mesh polyester clothing
	Color:	Black
Size	Height:	303 mm / 11.93 inches
	Width:	175 mm / 6.89 inches
	Depth:	185 mm / 7.28 inches
	Weight:	4.99 kg / 11 lbs
Shipping informations	Package Height:	394 mm / 15.51 inches
	Package Width:	257 mm / 10.12 inches
	Package Depth:	247 mm / 9.72 inches
	Package Weight:	5.7 kg / 12.57 lbs



PART NUMBER

• **13041023**

M 501 W

White

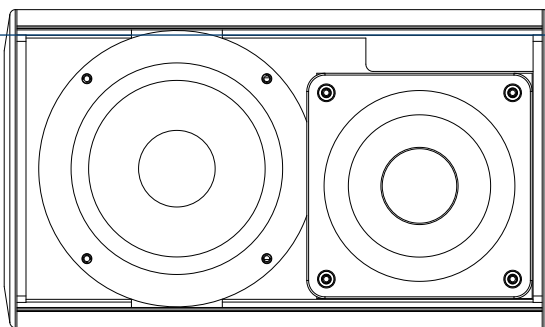
EAN 8024530011093

• **13041002**

M 501

Black

EAN 8024530007522



M501

303 [11.93"]

